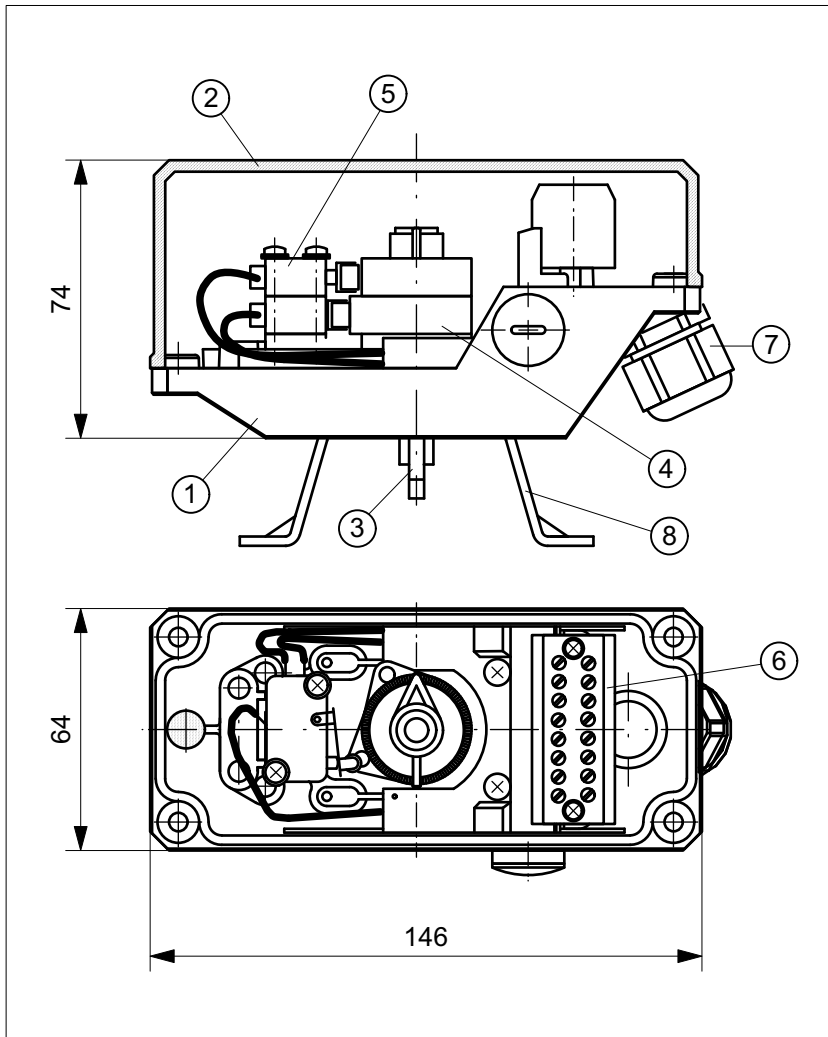




# TCR8MVAZ

TCR-Module with two micro switches Crouzet 83.161.801  
in TCR-Housing 146 x 64 x 74 mm



## TECHNICAL DATA

Manufacturer:	Crouzet
Type:	83.161.801 Micro switch
Switching capacity:	0.1 A, 250 V AC
Contacts:	Gold alloy
Economic life-time:	$5 \times 10^7$ switching cycles
Temperature:	-25 ... +85°C
Housing:	Vestamid, black
Cover:	Macrolon, clear
Sealing:	EPDM
Ingress protection:	IP65
Switching precision:	<1.5°
System connection:	Cable gland M20x1,5 Clamp. range 8...13 mm

## OBJECT LIST

Pos.	Pcs.	Description	Material
1	1	Housing base	Vestamid
2	1	Housing cover	Macrolon
3	1	TCR-Axis	POM
4	1	Switch cam system	POM
5	2	Micro switch	-
6	1	Terminal block, 8-pole	-
7	1	Cable gland M20x1,5	-
8	1	Bracket size 1 - 4	A2

## WIRING DIAGRAM

