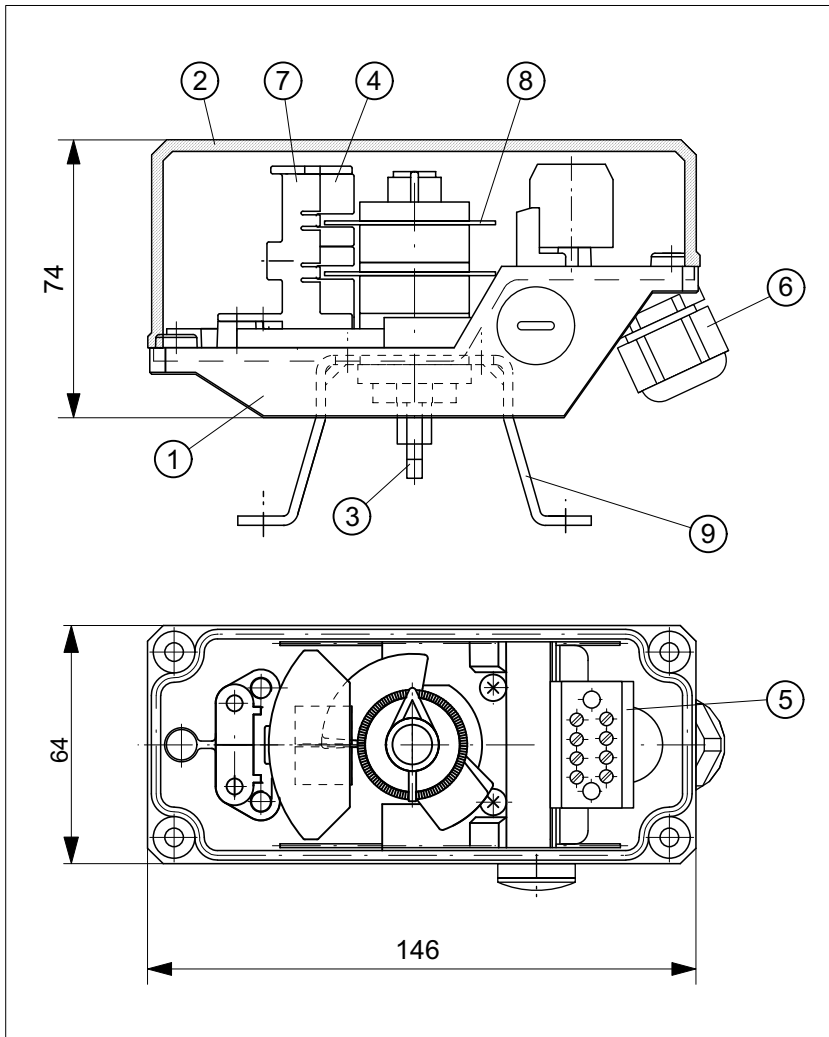




TPF3NVVAZ

TCR-Module with two proximity switches Pepperl+Fuchs SJ3,5-N
in TCR-Housing 146 x 64 x 74 mm



TECHNICAL DATA

Manufacturer: Pepperl+Fuchs
 Type: SJ3,5-N, Slot type
 inductive, NAMUR
 normally closed contact

Depth of immersion: 5 ... 7 mm
 Nominal voltage: 8 V DC
 Operating voltage: 5 ... 25 V DC
 Current consumpt.: ≥ 3 mA, inactive
 ≤ 1 mA, active

Switch. frequency: 0 ... 3000 Hz
 Temperature: -25 ... +85°C
 Housing base: Vestamid, black
 Housing cover: Vestamid, black
 Sealing: EPDM
 Ingress protection: IP67 (Sensor)
 IP65 (Housing)

Switching precision: $< 1.5^\circ$
 System connection: Cable gland M20x1,5
 Clamp. range 8...13 mm

Ex II 2G Ex ia IIC T6 Gb

EC-type examination certificate
PTB 99 ATEX 2219 X

OBJECT LIST

Pos.	Pcs.	Description	Material
1	1	Housing base	Vestamid
2	1	Housing cover	Vestamid
3	1	TCR-Axis	POM
4	2	P+F SJ3,5-N	-
5	1	Terminal block, 4-pole	-
6	1	Cable gland M20x1,5	PA
7	1	Sensor fastener	PA+30%GF
8	2	Switch plate	A2
9	1	Bracket size 1 - 4	A2

WIRING DIAGRAM

